

HDC202C SERIES:



205 Watt Conduction Cooled DC Input, Half Size / 3U Compact PCI Power Supply

- 6.76 x 3.74 x 0.79"

Features:

- 205 Watts Output Power
- Half Width / 3U x 4HP Package
- Conduction Cooled Operation
- 16.6~36 VDC Input Range
- Wide Operating Temperature
- Internal OR'ng Diodes for N+1 Redundant Operation
- Active Current Sharing
- Conformal Coated
- 2 Year Warranty

INPUT:

Input Voltage	16.6~36 VDC
Inrush Current	28A (300µs) at 24V Nominal
Input Current	10.67A @ 24VDC Nominal
UVP/OVP	Installed
Reverse Input Protection	Installed

GENERAL:

Efficiency	82% minimum (24Vin / Full Load)
Operating Temperature	-40 to 100°C Baseplate, derate linearly to 70% Load from 85°C to 100°C
Storage Temperature	-44 to +100°C
Cooling	Top Cover Conduction Cooled
Operating Humidity	5-90% RH, Non-Condensing
Vibration	5 ~ 50 Hz, acceleration 7.35 m/s*s on X,Y and Z Axis

OUTPUT:

Adjustment Range	available for V1, V2 & V3
Minimum Load	1 Amp on V1 (+5V) only
Load Regulation	V1 = ±1% / V2 = ±5% (max)
Line Regulation	±1~3% (Typical)
Ripple & Noise	±1% typ. pk-pk @ 20MHz
Overload Protection	120-130% of max power (Hiccup Mode)
Over Voltage	Latching before 130% of nominal
Short Circuit Protection	Trip without damage & auto-recovery
Transient Response	<250mV, recovers <500µs following a 50% load change
	Turn-on & off overshoot < 5% over nominal voltage

APPROVALS:

Emissions	EN55022 "A"
Safety Approvals	Built to meet IEC 60950 Class I

STATUS & CONTROL:

Remote Sense	Available for V1, V2 & V3
Fault	Included
Current Share	Available for V1, V2 & V3
Remote on/off	Included
Thermal Sensing	Thermostat Connection

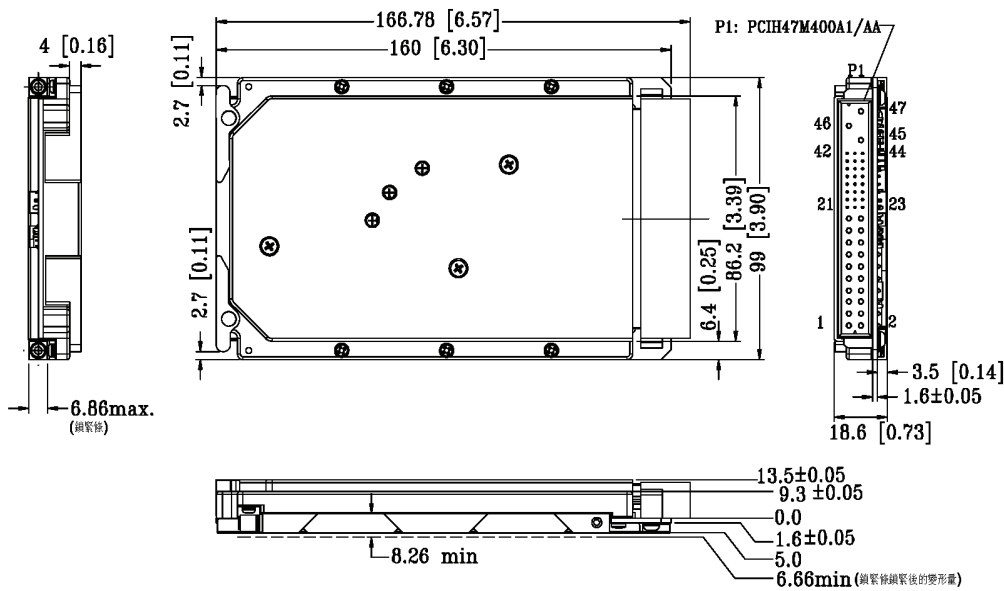
HDC202C SERIES:

Output Specifications:

Active PFC	V1 TYP	MIN	MAX	PEAK	V2 TYP	MIN	MAX	PEAK	V3 TYP	MIN	MAX	PEAK	V4 TYP	MIN	MAX	PEAK
HDC202C-24B-490(E)	5V 20A	1.0A	27A	30A	3.3V 10A	-	15A	20A	+12V 5A	-	6.0A	7.0A	-12V 1.0A	-	1.5A	2.0A

Max. load is the continuous operating load of each rail. But the max. load of each rail can't be drawn from all outputs at the same time.
Peak loads not to exceed 10% duty cycle or 60 seconds

ENVELOPE DRAWING:



INPUT & OUTPUT CONNECTORS PIN ASSIGNMENT

ASSIGNMENT	PIN NO.
-Vin	47
+Vin	46
GND	45
VO1	1,2,3,4
VO2	13,14,15,16,17,18
VO3	20
VO4	21
DC COM	5,6,7,8,9,10,11,12,19,24
VO1 +Remote Sense	30
VO2 +Remote Sense	33
VO1/VO2 -Remote Sense	34
VO3 +Remote Sense	36
VO1 CS	35
VO2 CS	41
VO3 CS	44
EN#(Enable)	27
DEG #(Degrade Signal)	38
INH #(Inhibit Signal)	39
FAL #(Fail Signal)	42

Mating connector: PCIH47F400A1

DERATING CHART

