

MDC-060 SERIES:



70 Watt LED Power Supply

- 6.93 x 2.48 x " IP65 / IP67 Enclosed Package

Features:

- Universal AC full range input (to 305Vac)
- Protections : Short circuit/Over current
- Over voltage/Over temperature auto recover
- Constant current design (C.C.mode)
- 10KV Lightning Surge protect
- With active PFC function
- Multiple dimming function
- IP65/IP67 Design for indoor and outdoor used
- Suitable for LED and street lighting application
- Comply with UL,TUV,CE,FCC,CQC safety regulation
- 5 year Warranty

INPUT:

Input Voltage	Universal Input (90~305 VAC) / 127-431VDC
Input Frequency	47-63Hz
Inrush Current	60A @ 230 VAC max Cold Start
Input Current	0.9A @ 115VAC / 0.4A @ 277 VAC
Power Factor	PF>0.98 @ 115VAC, >0.95 @ 230VAC, >0.93 @ 264VAC
Total Harmonic Distortion	<20% @230VAC @ 50Hz, @ full load
Leakage Current	<0.75mA @ 277 VAC
Hold-Up	>16ms @ 115VAC Full Load

GENERAL:

Efficiency	90-91%
Operating Temperature	-40 ~ 70°C (see derating curve)
Storage Temperature	-40 ~ 85°C
Operating Humidity	10% to 95% RH, non-condensing
Vibration	IEC 68-2-2-1995/CNS-3629-C6016/GB/T 2423.10-2008 ; 5-500Hz , 1.0G , 1 Oct/min , 2cycle X , Y , Z, 75 minutes
MTBF	350Khrs min. MIL-HDBK-217F (25°C)

OUTPUT:

Minimum Load	None
Output Current Tolerance	±5%
Line Regulation	±1%
Ripple & Noise	1V p-p
Output Ripple Current	±5%
Over Voltage	Latching, recycle input to reset (see output models selection table for trip points)
Short Circuit Protection	Auto-Recovery
Over Temperature Protection	Ambient Temperature Over 70°C , Fixed 75% load output

APPROVALS:

EMI	EN 55015, EN 61000-3-2, EN 61000-3-3, FCC Part18; CNS 14115, GB17743
EMS	EN61547, EN61000-4-2, EN61000-4-3, EN61000-4-4, EN61000-4-5, EN61000-4-6, EN61000-4-8, EN 61000-4-11, GB 17625.1
SAFETY	UL8750, EN61347-1, EN61347-2-13 , GB19510.1, GB19510.14
Surge	10KV(L/N-PE) & 5KV(L-N) /1.2*50µ sec

MDC-060 SERIES:

Output Specifications:

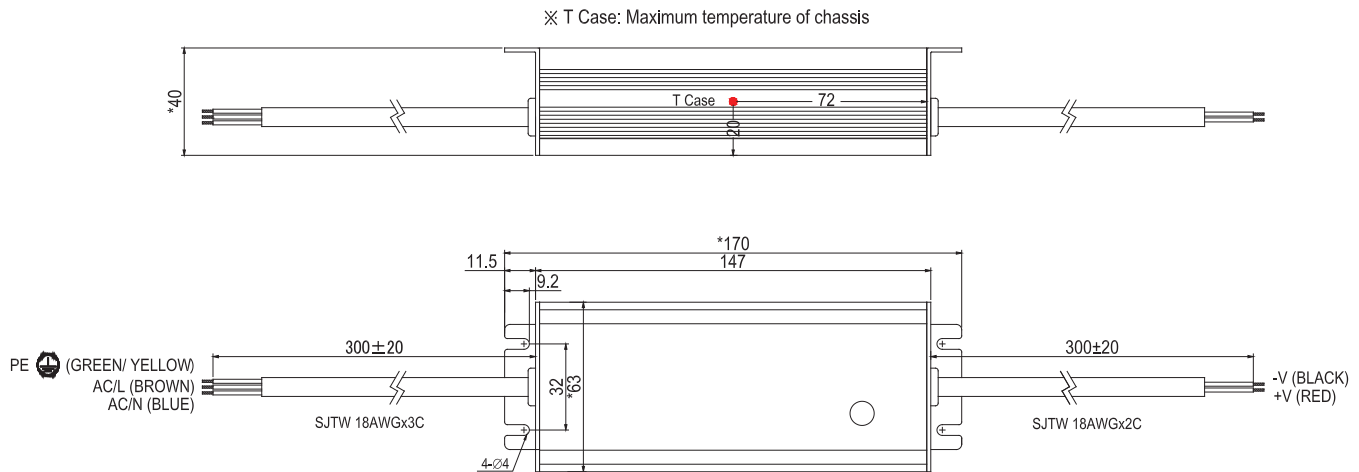
Model:	Rated Current	Current Adj. Range	Output Voltage	OVP Level	Output Power	Efficiency
MDC-060-0350	350mA	210~350mA	100~200V	248~280V	70W 91%	
MDC-060-0700	700mA	420~700mA	50~100V	118~140V	70W 91%	
MDC-060-1050	1050mA	630~1050mA	49~70V	94~115V	70W 91%	
MDC-060-1400	1400mA	840~1400mA	33~49V	54~70V	68W 90%	
MDC-060-1750	1750mA	1050~1750mA	21~35V 4	3~55V	60W 90%	
MDC-060-2280	2280mA	1400~2280mA	21~27V	43~55V	60W 90%	

* Suffix Required to complete part number as follows:

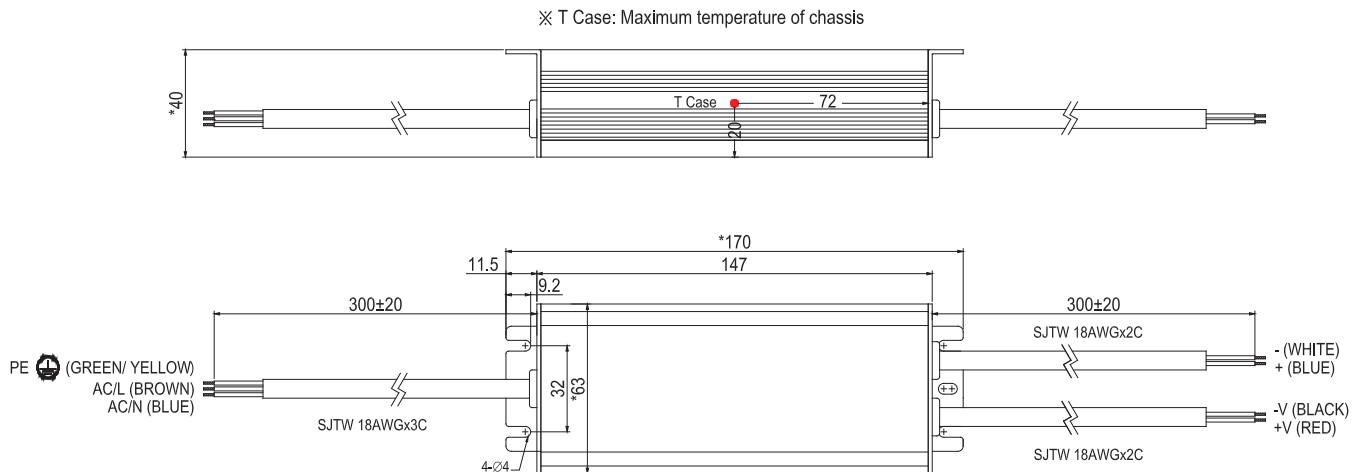
A suffix designates IP65 Grade, current adjustable via internal variable resistor

B suffix designates IP67 Grade, current adjustable by 1~10 PWM Signal, 10K~100KΩ Resistor or PWM

OUTLINE DRAWING (Suffix A models):



OUTLINE DRAWING (Suffix B models):



MDC-060 SERIES:

Type B Models, Resistor /V_{ADJ} / PWM Values

* 10K~100KΩ adjust output current

Resistor value	10KΩ	20KΩ	30KΩ	40KΩ	50KΩ	60KΩ	70KΩ	80KΩ	90KΩ	100KΩ	OPEN
Rated Current rate	10%	20%	30%	40%	50%	60%	70%	80%	90%	100%	95~105%

* 1~10Vdc adjust output current

Vdc	1V	2V	3V	4V	5V	6V	7V	8V	9V	10V	OPEN
Rated Current rate	10%	20%	30%	40%	50%	60%	70%	80%	90%	100%	95~105%

* 10V PWM adjust output current ; Frequency range 100Hz~3KHz

Duty	10%	20%	30%	40%	50%	60%	70%	80%	90%	100%	OPEN
Rated Current rate	10%	20%	30%	40%	50%	60%	70%	80%	90%	100%	95~105%

