

PA1045Hix SERIES:



2 or 3 PIN AC Connector
(2 PIN SHOWN IN PICTURE)

40 Watts / Single Output

- 3.68 x 2.20 x 1.71" International Wall Mount Package

Features:

- Universal AC Input (90~264 VAC Input Range)
- 2 or 3 Pin AC Inlet (Class I or Class II Safety Approvals)
- Level VI Efficiency Compliant
- Class B Emissions
- International Safety Approvals (Class I or II)
- 2 Year Warranty

INPUT:

Input Voltage	90~264 VAC (Universal AC Input)
Input Frequency	47-63Hz
Inrush Current	80A @ 230 VAC Cold Start
Input Current	1500mA maximum
Input Protection	Single Fuse
Hold-Up Time	10ms Minimum
Leakage Current	<700 μ A @ 240 VAC Maximum
Harmonics	EN61000-3-2 Class A Compliant
Green Power	Less than 0.300W No Load Input Power

GENERAL:

Efficiency	86% minimum
Operating Temperature	0-50°C, derate linearly to 50% Load at 60°C
Storage Temperature	-20°C to +70°C
Cooling	Convection Cooled
Operating Humidity	5-95% RH, Non-Condensing
Vibration	5 ~ 50 Hz, acceleration 7.35 m/s*s on X,Y and Z Axis
MTBF	>40k Hrs (according to MIL-HBK-217F) at 25°C

OUTPUT:

Minimum Load	n/a
Line Regulation	\pm 1% max
Load Regulation	\pm 5% max
Ripple & Noise	\pm 1% typ. pk-pk @ 20MHz
Overload Protection	110-135% of max power (Foldback)
Over Voltage	Latching >130% of nominal
Short Circuit Protection	Continuous (auto-recovery)

APPROVALS:

Emissions	VCCI / SMA / EN55022 Class B FCC ANSI C63.4 Class B
Safety Approvals	UL/cUL 60950-1 (Class I or Class II) CB EN60950-1 (Class I or Class II) TUV/GS EN60950-1 (Class I or Class II) C-Tick AS3260(AS/NSZ60950) CE Mark (LVD)



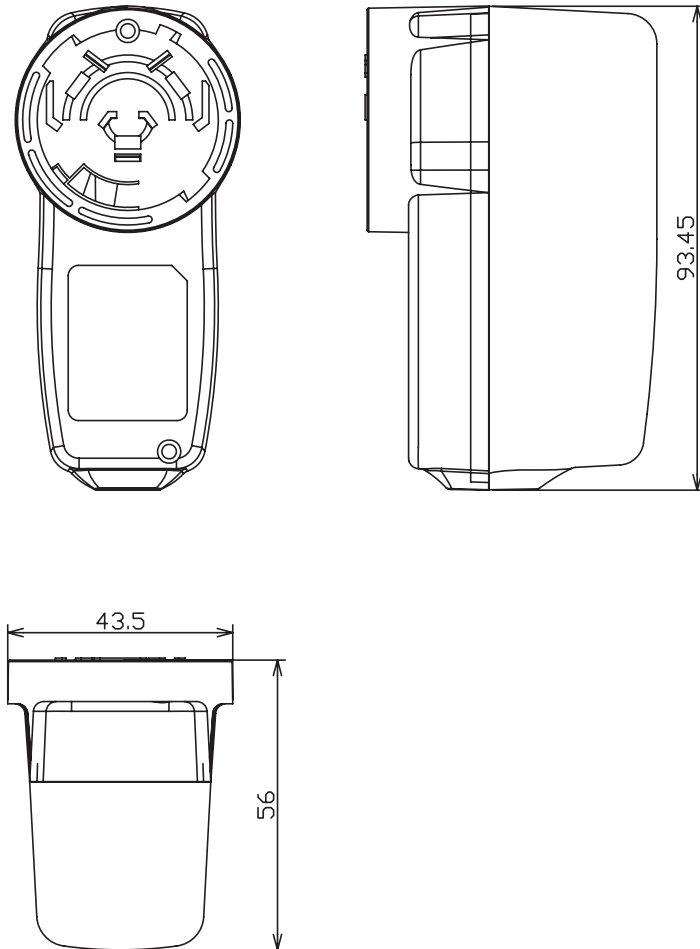
PA1045Hix SERIES:

Output Specifications:

Model:	Vout	Max Output Current	Factory Set Point Range
PA1045-120Hix333	12 VDC	4000mA	12.0~18.9 VDC
PA1045-150Hix267	15 VDC	3200mA	19.0~24 VDC
PA1045-180Hix222	18 VDC	2666mA	19.0~24 VDC
PA1045-190Hix210	19 VDC	2526mA	19.0~24 VDC
PA1045-240Hix167	24 VDC	2000mA	19.0~24 VDC
PA1045-270Hix148	27 VDC	1777mA	24.1~36 VDC
PA1045-300Hix133	30 VDC	1600mA	24.1~36 VDC
PA1045-480Hix083	48VDC	1000mA	36.1~48 VDC

- Designate desired AC Connector and Safety Class Package by replacing "x" with one of the following:
 A = 3 Pin AC Plug and Safety Class I (with Safety Ground) B = 2 Pin AC Plug and Safety Class II (No Safety Ground)
- Power Supply can be set to any voltage ranging between 12~ 48 VDC and maintain all safety approvals.
- Power Supply ships with all AC Plugs standard, contact APS to discuss other options.
- Standard Cable Length is 6 feet.
- Additional suffix to designate output connector is required, see connector options at <http://www.advpower.com/dcconnector.pdf>

OUTLINE DRAWINGS:



Contact APS for drawings of AC Connectors