



Features:

- * Universal AC Input
- * Small Desktop package
- * Very Low Profile
- * 2 Pin AC Input Connector (No Ground Required)
- * Worldwide Safety Approvals
- * EN55022 & FCC Class B Emissions
- * CE Mark

Input

Input Voltage Universal (90-264 VAC)
 Input Frequency 47-63Hz
 Inrush Current 30A Max
 Input Current 1.0 @ 115 VAC / 0.5A @ 230 VAC Max
 Hold-Up Time 8ms @ 115 VAC / 50ms @ 230 VAC Full Load

General

Efficiency 85% Typ.
 Switching Frequency 90KHz
 Operating Temperature 0 to 40°C full load, derate 5% per °C to 50°C max.
 Storage Temperature -20°C to +85°C
 Cooling Convection
 Temp Co-Efficient 0.04% per °C
 Toplogy Fixed frequency flyback circuit

Output

Minimum Load n/a
 Line Regulation ±0.1% typ.
 Load Regulation ±3 - 5% typ.
 Ripple & Noise ±1% typ. pk-pk @ 20MHz
 Overload Protection 125-150%, Auto-recovery (custm settings upon request)
 OverVoltage Protection Zener Diode Clamp
 Adjustment Fixed
 Transient Response voltage returns < 3mS following a 50% load change

EMC & Safety

Emissions EN55022 "B", FCC Class B

Safety Approvals UL/cUL60950-1
 EN60950-1
 CE Mark (LVD)

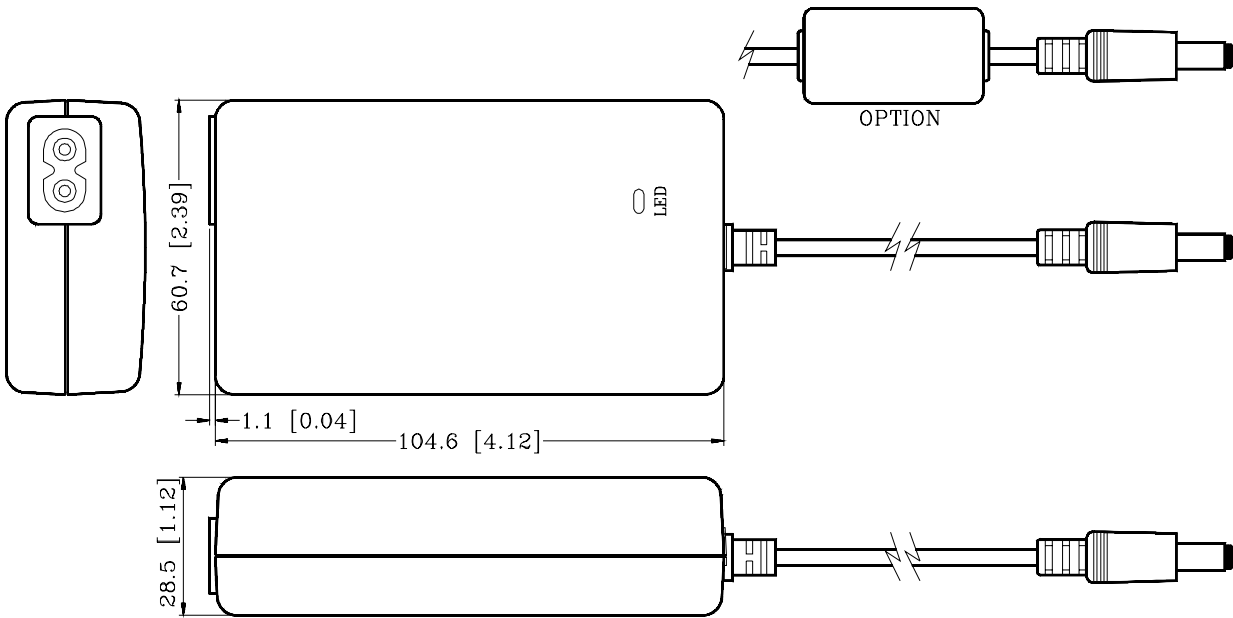


Model Number

Output

APS51ES-09050	9.0 Vdc @ 5.0A
APS51ES-12040	12.0 Vdc @ 4.0A
APS51ES-15034	15.0 Vdc @ 3.4A
APS51ES-16031	16.0 Vdc @ 3.1A
APS51ES-18028	18.0 Vdc @ 2.8A
APS51ES-19630	19.6 Vdc @ 3.0A
APS51ES-24021	24.0 Vd @ 2.1A
APS51ES-30017	30.0 Vdc @ 1.7A

Mechanical Details



Notes

WEIGHT: 185g (6.53 Oz.)

Standard Output Cable Length is 6 feet

See Output Connector Chart for standard output connector options